

# Cuisinart™

## INSTRUCTION BOOKLET



**Wine Preserver**

**CWP-55C**

For your safety and continued enjoyment of this product,  
always read the instruction booklet carefully before using.

# IMPORTANT SAFEGUARDS

When using electrical appliances, basic safety precautions should always be followed, including the following:

1. **READ ALL INSTRUCTIONS**
2. Do not operate with a damaged cord or plug, after the appliance malfunctions or if it has been dropped or damaged in any manner. Return appliance to the nearest Authorized Service Center or phone Cuisinart Customer Service at 1-800-472-7606 for examination, repair or electrical or mechanical adjustment.
3. To protect against risk of electrical shock, do not put the electric wine preserver in water or other liquids. This may cause personal injury and/or damage to the product.
4. To protect against fire, do not operate the unit in the presence of explosive and/or flammable fumes.
5. Do not use the wine preserver for other than intended use.
6. This product is intended for normal domestic household use only.
7. When using or recharging the wine preserver, keep your workspace clean and free from potential hazards.
8. For indoor use only. Do not expose the wine preserver or charging base to rain or other extreme conditions.
9. Never force the wine preserver onto a bottle or attempt to speed up the mechanism. The preserver will work best when it is operated at its intended speed.
10. Do not attempt to open the wine preserver or the charging base. It has no user-serviceable parts. Charge the wine preserver only by using the provided charging base and adapter supplied. Use

only the power adapter with 9V DC/80mA output as supplied with this product.

11. Never remove the plug from the socket by pulling the power cord.
12. Do not operate your appliance in an appliance garage or under a wall cabinet. **When storing in an appliance garage, always unplug the unit from the electrical outlet.** Not doing so could create a risk of fire, especially if the appliance touches the walls of the garage or the door touches the unit as it closes.
13. Store appliance in a cool, dry place.
14. DO NOT allow children access to the plastic packaging bags.
15. Extreme care should be taken when any product is used near children and individuals with certain disabilities. Keep out of reach of children when not in use.
16. Do not let the power cord hang over the edge of a table or counter. Arrange the power cord away from an area where it may be tripped over.

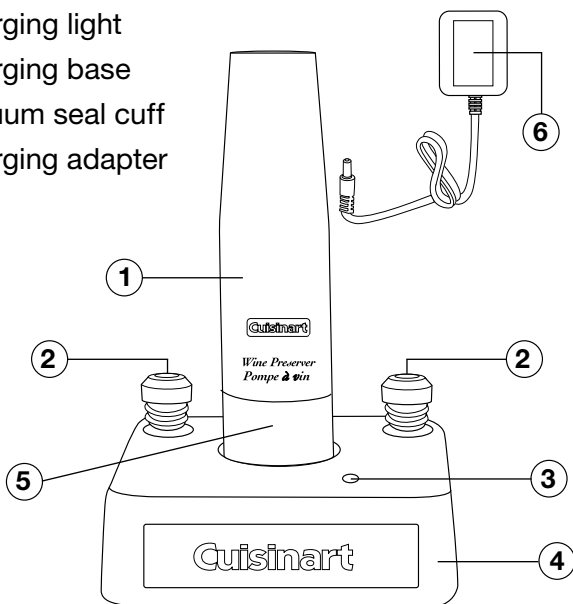
**FOR HOUSEHOLD USE ONLY**  
**SAVE THESE INSTRUCTIONS**

# PRODUCT FEATURES

- Electric cordless wine preserver
- Unique innovative design
- Vacuum-seals wine bottles in seconds
- Preserves the aroma, color and flavor
- Simple press-and-seal process
- Wine keeps for a few days after sealing (depends on the storage environment)
- LED charging light with base
- Charging adapter (AC 100-240VAC, DC 9V 80mA)
- Built-in rechargeable Ni-MH battery

# PARTS

1. Wine preserver
2. Wine preserver stoppers (2)
3. Charging light
4. Charging base
5. Vacuum seal cuff
6. Charging adapter



## BEFORE FIRST USE

It is recommended to charge the wine preserver for at least 12 hours before first use. Please follow the instructions below to charge the product:

This appliance is 120 volts only and should not be used with a converter.

1. Take out the charging adapter and charging base. Insert the charging adapter DC jack to the charging base (at back of the base).
2. Place the wine preserver in the charging base, making sure that it is firmly in position and fully engaged with the charging base.
3. Insert the charging adapter into the power socket. The charging light in the base will turn on to indicate the unit is charging. It will take at least 12 hours to fully charge the unit. Charging light will remain red during the charging process, even when fully charged.

## OPERATING INSTRUCTIONS

To vacuum-seal a partially empty bottle of wine:

1. Insert the stopper into the mouth of wine bottle, pushing down until it fits firmly.
2. Set the date dial from 1 to 31, to mark the date wine was sealed.
3. Position the wine preserver over the wine bottle and stopper and push down gently, holding the preserver as straight as possible.
4. When the sealing process is completed, the wine preserver will automatically stop.
5. Remove the wine preserver and return it to the charging base when done. This will protect and charge the unit while not in use.

**NOTE:** Please hold the wine preserver as straight as possible. If the position of the wine preserver is not

straight/upright enough, the wine preserver will not operate properly.

**IMPORTANT:** After a few days, the wine bottle may lose its full vacuum seal. To keep it sealed properly, repeat the vacuum seal process.

## **CLEANING AND MAINTENANCE**

1. Use only a soft dry cloth to clean the exterior of the unit.
2. Clean the wine preserver stopper with a damp, soft, clean cloth after each use.
3. **DO NOT** submerge the wine preserver stopper and wine preserver in water or clean under the vacuum seal cuff.
4. This product is not a toy. Keep out of reach of children.
5. Never immerse power adapter, charging base or housing in water or any other liquid.
6. Never submerge the motor base in water or other liquids, or place in a dishwasher.
7. **DO NOT WASH ANY PART OF THIS WINE PRESERVER IN A DISHWASHER.**

Any other servicing should be performed by an authorized service representative.

## **SPECIFICATIONS**

Fits bottle size . . . . .  
Standard 750ml bottle  
Fits bottle opening diameter of . . . . .  
0.6in – 0.76in (17.5mm – 19.5mm)  
Preserved wine\* lasts for . . . . .  
approximately 9 days

\* For best taste, it is recommended to drink the opened wine as soon as possible. Quality of preservation depends on the environment stored (temperature, humidity, etc.).

# WARRANTY

## LIMITED THREE YEAR WARRANTY

We warrant that this Cuisinart product will be free of defects in materials or workmanship under normal home use for 1 year from the date of original purchase. This warranty covers manufacturer's defects including mechanical and electrical defects. It does not cover damage from consumer abuse, unauthorized repairs or modifications, theft, misuse, or damage due to transportation or environmental conditions. Products with removed or altered identification numbers will not be covered.

This warranty is not available to retailers or other commercial purchasers or owners. If your Cuisinart product should prove to be defective within the warranty period, we will repair it or replace it if necessary. For warranty purposes, please register your product online at [www.cuisinart.ca](http://www.cuisinart.ca) to facilitate verification of the date of original purchase and keep your original receipt for the duration of the limited warranty. This warranty excludes damage caused by accident, misuse or abuse, including damage caused by overheating, and it does not apply to scratches, stains, discolouration or other damage to external or internal surfaces that does not impair the functional utility of the product. This warranty also expressly excludes all incidental or consequential damages.

Your Cuisinart product has been manufactured to the strictest specifications and has been designed for use only in 120 volt outlets and only with authorized accessories and replacement parts. This warranty expressly excludes any defects or damages caused by attempted use of this unit with a converter, as well as use with accessories, replacement parts or repair service other than those authorized by Cuisinart. If the appliance should become defective within the warranty period, do not return the appliance to the store. Please contact our Customer Service Centre:

**Toll-free phone number:**

1-800-472-7606

**Address:**

Cuisinart Canada  
100 Conair Parkway  
Woodbridge, Ont. L4H 0L2

**Email:**

[consumer\\_Canada@conair.com](mailto:consumer_Canada@conair.com)

Model:

**CWP-55C**

To facilitate the speed and accuracy of your return, please enclose:

- \$10.00 for shipping and handling of the product (cheque or money order)
- Return address and phone number
- Description of the product defect
- Product date code\*/copy of original proof of purchase
- Any other information pertinent to the product's return

\* Product date code can be found on the underside of the base of the product. The product date code is a 4 or 5 digit number. Example, 140630 would designate year, month & day (2014, June 30th).

**Note:** We recommend you use a traceable, insured delivery service for added protection. Cuisinart will not be held responsible for in-transit damage or for packages that are not delivered to us.

To order replacement parts or accessories, call our Customer Service Centre at 1-800-472-7606. For more information, please visit our website at **[www.cuisinart.ca](http://www.cuisinart.ca)**.



# Cuisinart™



Coffeemakers



Blenders



Juicers



Cookware



Tools and  
Gadgets

Cuisinart offers an extensive assortment of top quality products to make life in the kitchen easier than ever. Try some of our other countertop appliances and cookware, and Savor the Good Life®.

**[www.cuisinart.ca](http://www.cuisinart.ca)**

Trademarks or service marks of third parties referred to herein are the trademarks or service marks of their respective owners.

©2014 Cuisinart Canada  
100 Conair Parkway,  
Woodbridge, Ontario L4H 0L2

Printed in China

14CC146754

**IB-11124-CAN**