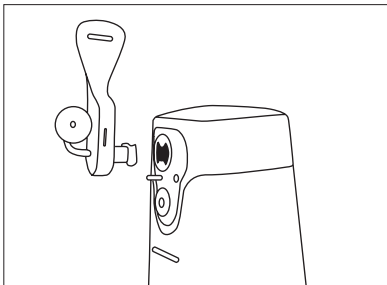


## CLEANING INSTRUCTIONS

1. Be sure the plug has been removed from outlet.
2. Remove can opener lever by lifting and pulling toward you. Wash by hand with hot, sudsy water or place in the top shelf of a dishwasher. Dry thoroughly.
3. Wipe body of can opener with damp cloth. (Caution: Do not immerse in water.)
4. Replace can opener lever by holding in the upright position and snapping back into place.



## SUGGESTIONS

This can opener will open all standard size cans. It should not be used on cans that have alternate methods of opening (including but not limited to pull-tabs, rolling key and peel-off foil). It also should not be used with rimless cans or cans with angled corners.

Cans with aluminum lids will not adhere to magnet.

If there is a dent in the rim of the can, open other side or place the Power Cut™ blade beyond the dent. If the can opener stalls, use a light touch to turn the can to aid the cutting process.

## LIMITED THREE-YEAR WARRANTY

This warranty supersedes all previous warranties on the Cuisinart® product. This warranty is available to consumers only. You are a consumer if you own a Cuisinart® product that was purchased at retail for personal, family or household use. This warranty is not available to retailers or other commercial purchasers or owners. We warrant that your Cuisinart® product will be free of defects in material or workmanship under normal home use for three years from the date of original purchase.

For warranty purposes, we would like to suggest that you register your product on-line at [www.cuisinart.ca](http://www.cuisinart.ca) to facilitate verification of the date of original purchase. However, should you not wish to register on-line we recommend that you maintain original receipt indicating proof of purchase. In the event that you do not have proof of purchase date, the purchase date for purposes of this warranty will be the date of manufacture.

When calling our Authorized Service Centre for in warranty service please make reference to your model number and the manufacturing date code. This information can be found in the rating area on the body or underneath the base of your unit. The model number will follow the word Model: SCO-60C. The manufacturing date code is a 4 or 5 digit number. Example, 40630 would designate year, month & day (2004, June 30th).

If your product should prove to be defective within the warranty period, we will repair it or, if we think it necessary, replace it. To obtain warranty service, please call our Consumer Service Centre toll-free at 1-800-472-7606 or write to:

**Cuisinart Canada**  
156 Parkshore Drive  
Brampton, Ont. L6T 5M1

To facilitate the speed and accuracy of your return, please also enclose \$10.00 for shipping and handling of the product. Please also be sure to include a return address, description of the product defect, product serial number, and any other information pertinent to the product's return. Please pay by cheque or money order.

**NOTE:** For added protection and secure handling of any Cuisinart® product that is being returned, we recommend you use a traceable, insured delivery service.

Cuisinart cannot be held responsible for in transit damage or for packages that are not delivered to us. Lost and/or damaged products are not covered under warranty. Your Cuisinart® product has been manufactured to strict specifications and has been designed for use with the Cuisinart® authorized accessories and replacement parts for your model.

These warranties expressly exclude any defects or damages caused by accessories, replacement parts or repair service other than those that have been authorized by Cuisinart. These warranties exclude all incidental or consequential damages.

### BEFORE RETURNING YOUR CUISINART PRODUCT

**Important:** If the nonconforming product is to be serviced by someone other than Cuisinart's Authorized Service Centre, please remind the servicer to call our Consumer Service Centre to ensure that the problem is properly diagnosed, the product serviced with the correct parts, and to ensure that the product is still under warranty.

© 2005 Cuisinart  
Cuisinart® is a registered trademark of Cuisinart  
156 Parkshore Drive, Brampton, Ontario, L6T 5M1.  
Printed in China. 05CC25025

IB-5736-CAN

# Cuisinart®



Deluxe Stainless Steel Can Opener

Instruction Booklet

SCO-60C

# IMPORTANT SAFEGUARDS

When using electrical appliances, basic safety precautions should always be followed including the following:

1. **READ ALL INSTRUCTIONS.**
2. To protect against risk of electrical shock, do not immerse cord, plug or can opener in water or other liquid.
3. Close supervision is necessary when any appliance is used by or near children.
4. Unplug from outlet when not in use, before putting on or taking off parts, and before cleaning.
5. Avoid contacting moving parts.
6. Do not operate any appliance with a damaged cord or plug, or after the appliance malfunctions, or is dropped or damaged in any manner.
7. The use of attachments not recommended or sold by Cuisinart may cause fire, electrical shock, or risk of injury.
8. Do not use outdoors.
9. Do not let cord hang over edge of table or counter, or touch hot surfaces.
10. Do not open pressured (aerosol type) cans.
11. Do not open cans of flammable liquids such as lighter fluid.
12. Do not use can opener for other than intended use.
13. Do not leave unattended while in use.
14. This appliance is intended for household use only and not for commercial or industrial use.
15. Caution: Do not immerse in water.

## FOR HOUSEHOLD USE ONLY

# SAVE THESE INSTRUCTIONS

## NOTICE

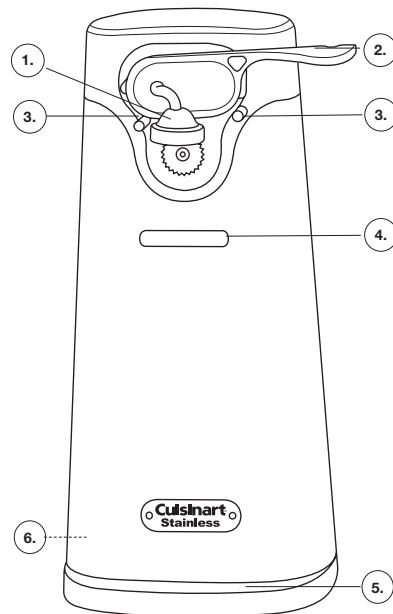
This appliance has a polarized plug (one blade is wider than the other). As a safety feature, this plug will fit in a polarized outlet only one way. If the plug does not fit fully in the outlet, reverse the plug. If it still does not fit, contact a qualified electrician. Do not attempt to defeat this safety feature.

## INTRODUCTION

Congratulations! You now have a can opener you'll be proud to display on your kitchen counter. This very contemporary Cuisinart® Can Opener is constructed of sturdy stainless steel, with smooth lines and an extra-wide base. Good looking, and almost impossible to tip, it requires only a quick press of the lever to operate. Opening cans has never been easier.

## OPERATING INSTRUCTIONS

1. Plug cord into outlet.
2. Raise can opener lever.
3. Position the can under the guiding posts and lower the lever, making sure the Power Cut™ blade is positioned inside the rim of the can.
4. Once the Power Cut™ blade pierces the can, cutting begins. There is no need to hold the lever down during cutting.
5. Cutting action will automatically stop, once can is completely open.
6. Can will remain in position until lever is lifted.
7. To remove can, hold can firmly with one hand while lifting lever with the other.
8. Carefully remove lid from magnet.



**1. Power Cut™ Blade Assembly**

**2. Can Opener Lever**

**3. Guiding Posts**

**4. Can Stop**

**5. Base**

**6. Cord Storage (not shown)**